

Grohe Essentials Master bathroom accessories set 4-in-1



Range: Essentials

Description: The GROHE Essentials Master Bathroom Accessory Set – seamless style guaranteed! - material: metal, Consisting of: towel ring (40 365 001), robe hook (40 364 001), toilet paper holder (40 367 001), towel rail, 600 mm (40 366 001), concealed fastening, GROHE Long-Life finish, suitable for screwing (including screws and dowels) or gluing (glue 40 915 000 sold separately)

Product Code: G-40776001

ERP Code: G-40776001

Barcode: 4005176328633

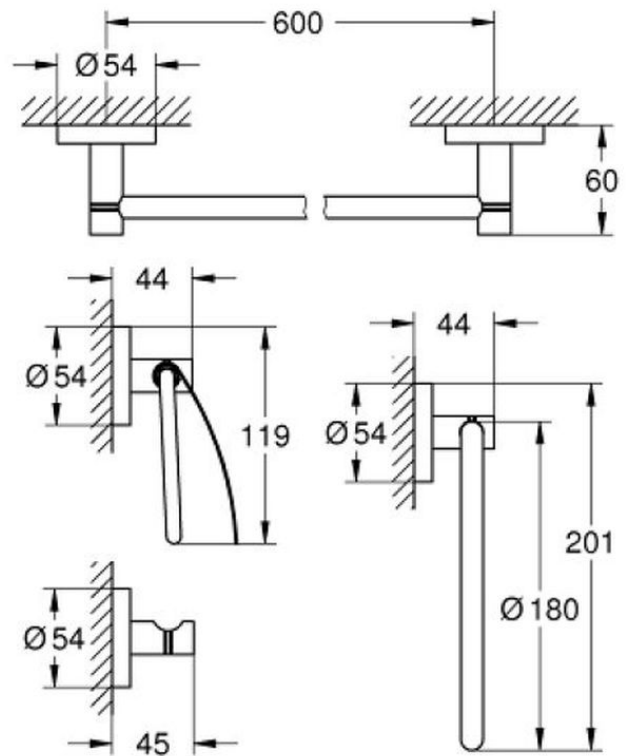
Product Features: 5 Year Warranty, GROHE Long-Life finish

Dimensions: (l) 690mm x (w) 270mm x (h) 70mm

Package Weight: 2.22

CAD3D: [Download](#)

Product Images



MOT



5 Year Warranty



GROHE Long-Life finish