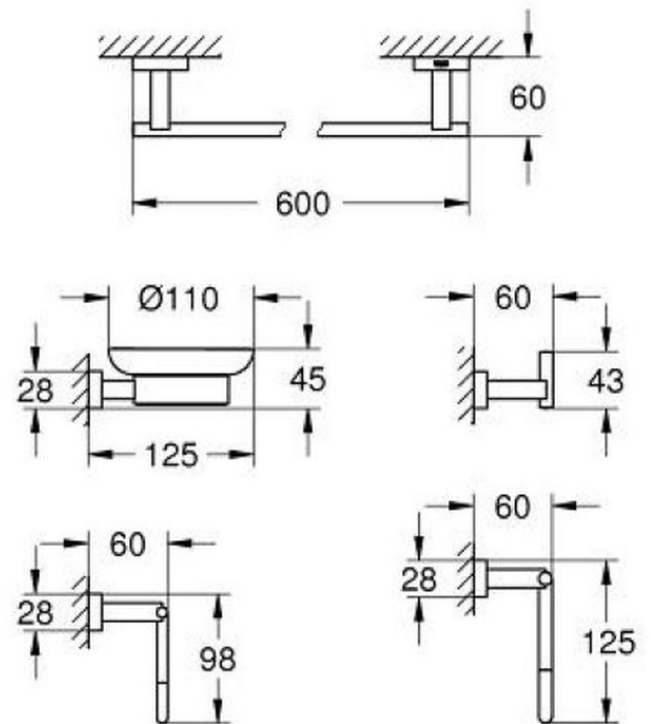


Grohe Essentials Master bathroom accessories set 5-in-1



Range: Essentials
Description: GROHE Essentials Cube accessory set – a complete bathroom accessories solution - material: glass / metal, Consisting of: soap dish with holder (40 754 001), towel rail, 558 mm (40 509 001), toilet paper holder (40 507 001), robe hook (40 511 001), towel ring (40 510 001), concealed fastening, GROHE Long-Life finish
Product Code: G-40758001
ERP Code: G-40758001
Barcode: 4005176328503
Product Features: 5 Year Warranty, GROHE Long-Life finish
Dimensions: (l) 650mm x (w) 240mm x (h) 80mm
Package Weight: 2.74
CAD3D: [Download](#)

Product Images



MOT



5 Year Warranty



GROHE Long-Life finish