

Grohe Essentials Toilet paper holder



Range: Essentials

Description: The GROHE Essentials Toilet Paper Holder in Brushed Cool Sunrise – fusing style and convenient storage! - material: metal, with cover, concealed fastening, GROHE Long-Life finish, suitable for screwing (including screws and dowels) or gluing (glue 40 915 000 sold separately), holding force: max. 5 kg, the specified holding capacity is valid for static (slowly applied) load and intended use only

Product Code: G-40367GN1

ERP Code: G-40367GN1

Barcode: 4005176429927

Product Features: 5 Year Warranty, GROHE Long-Life finish

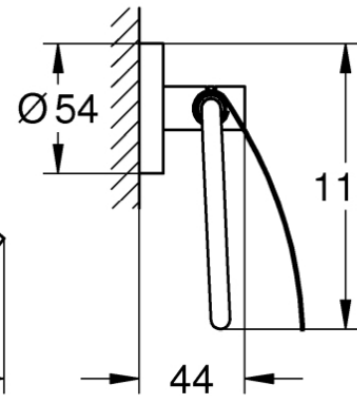
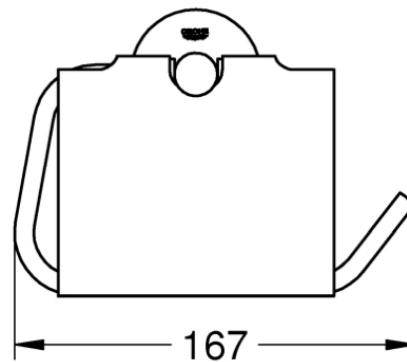
Dimensions:

(l) 185mm x (w) 140mm x (h) 55mm

Package Weight: 0.48

CAD3D: [Download](#)

Product Images



MOT



5 Year Warranty



GROHE Long-Life
finish