

# Grohe Essentials Reserve toilet paper holder



**Range:** Essentials

**Description:** The GROHE Essentials Spare Toilet Paper Holder in Warm Sunset – convenient comfort and style! - material: metal, wall mounted, concealed fastening, GROHE Long-Life finish, suitable for screwing (including screws and dowels) or gluing (glue 40 915 000 sold separately), holding force: max. 5 kg, the specified holding capacity is valid for static (slowly applied) load and intended use only

**Product Code:** G-40385DA1

**ERP Code:** G-40385DA1

**Barcode:** 4005176429309

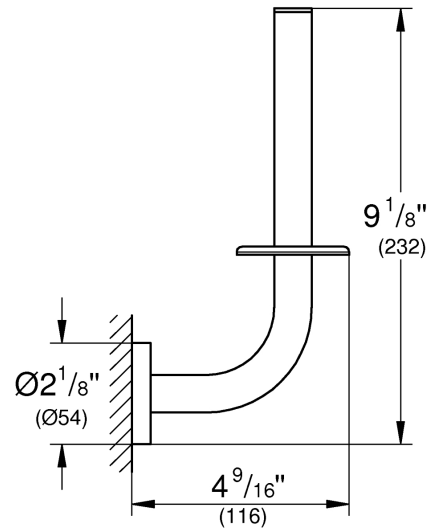
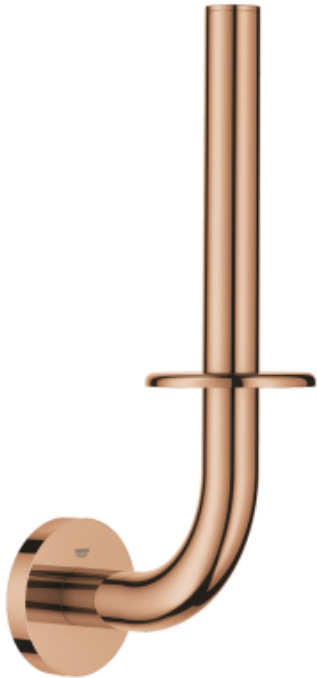
**Product Features:** 5 Year Warranty, GROHE Long-Life finish

**Dimensions:** (l) 235mm x (w) 125mm x (h) 65mm

**Package Weight:** 0.405

**CAD3D:** [Download](#)

## Product Images



MOT



GROHE Long-Life  
finish



5 Year Warranty