

Grohe Grohe Turning Handle



Range: Grohe
Description: for kitchen sinks with automatic waste fitting including fixation form: round Ø 46 mm GROHE Long-Life finish
Product Code: 42587SD0
ERP Code: 42587SD0
Barcode: 4005176563447
Product Features: GROHE Long-Life finish
Dimensions: (l) 80mm x (w) 50mm x (h) 35mm
Package Weight: 0.025

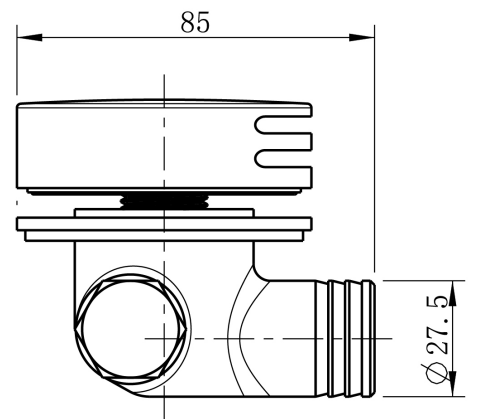
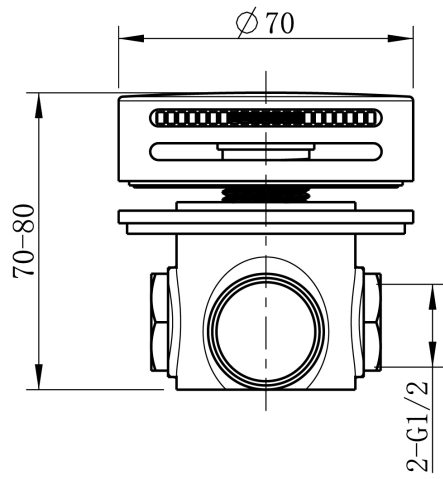
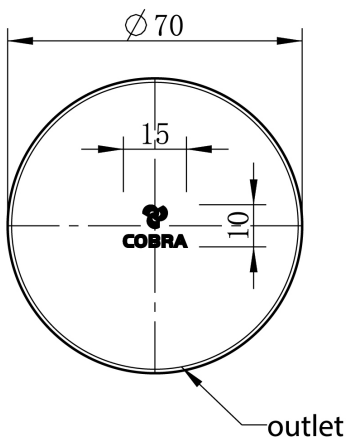
Product Images



MOT



GROHE Long-Life
finish



030BN

FLOW RATE



20 Year Warranty



MOT
Cobra TeamAssist



2 Year Warranty
on Coating