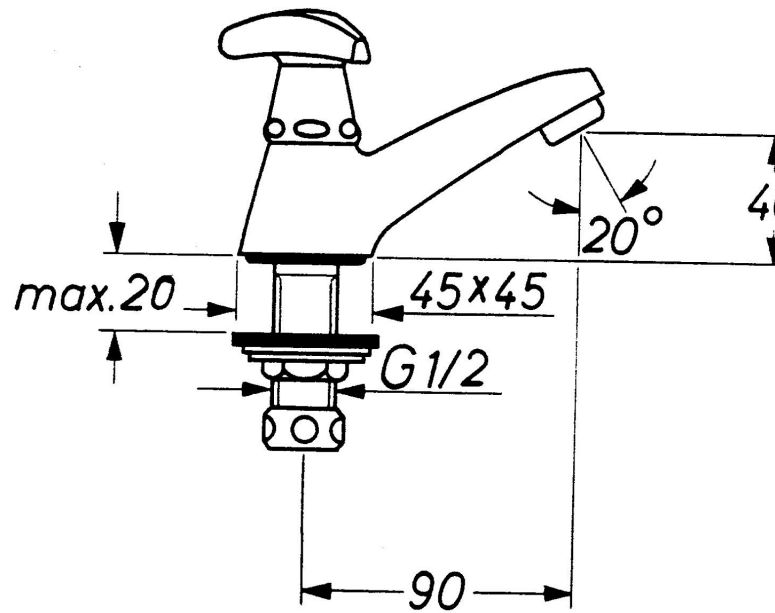


Grohe Grohe Angle Valve 1/2"



Range: Grohe
Description: pre-roughened connection thread for easy sealing, wall connection 1/2", outlet thread 3/8", with length compensation, with compression nut \varnothing 10 mm, water protected spindle shutoff, brass,, with grease chamber and double o-ring sealing, long connecting shaft, ergonomic metal handle, marking: neutral, metal push-on escutcheon \varnothing 55 mm, GROHE Long-Life finish
Product Code: 22037DC0
ERP Code: 22037DC0
Barcode: 4005176468087
Product Features: 2 Year Warranty
Dimensions: (l) 90mm x (w) 60mm x (h) 35mm
Package Weight: 0.17

Product Images



MOT



2 Year Warranty