

Cobra Tigris Sink Mixer



Range: Tigris

Description: Cobra Tigris Sink Mixer Pillar Type, 1/2 FI, Zinc alloy body+PPA insert, 35mm cartridge, Neoperl aerator core, Stainless Steel 201 outlet tube, Stainless Steel 304 M10xG1/2 X 38.6CM inlet hoses, Thread tube fixing set, Flow rate 12.73 l/min @300kPa, Matte Black. Care & Maintenance - Ensure your product does not come into contact with any lubricants during installation. Chrome plated, matte black and any colour finishes should be wiped with warm soapy water and a soft cloth or sponge. Rinse, then dry and buff with a dry soft cloth. Under no circumstances must any detergents containing hydrochloric acids or abrasives including cream cleansers be used. Do not use abrasive cleaning materials such as scourers. Should your product have an aerator at the water outlet, it should be checked and cleaned regularly.

Product Code: TG-970MB

ERP Code: 137060K000

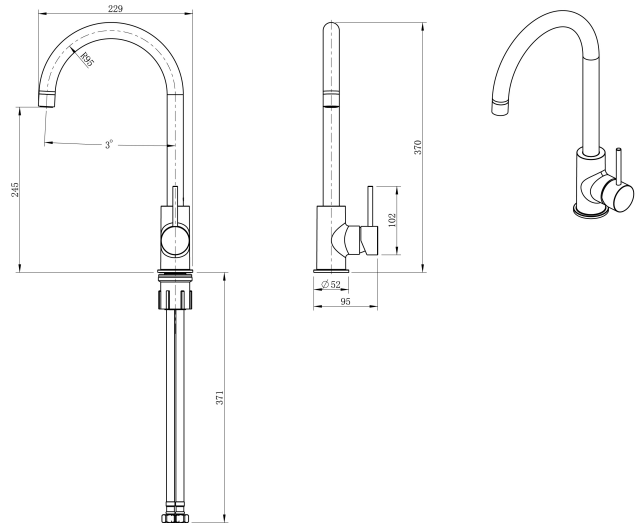
Barcode: 6002194165798

Product Features: Cobra FeatherTouch, Cobra TeamAssist, 10 Year Warranty, 2 years on coating, New Tigris

Dimensions: (l) 250mm x (w) 490mm x (h) 65mm

Package Weight: 1.34

Product Images



MOT



Cobra FeatherTouch



Cobra TeamAssist



2 years on coating



10 Year Warranty