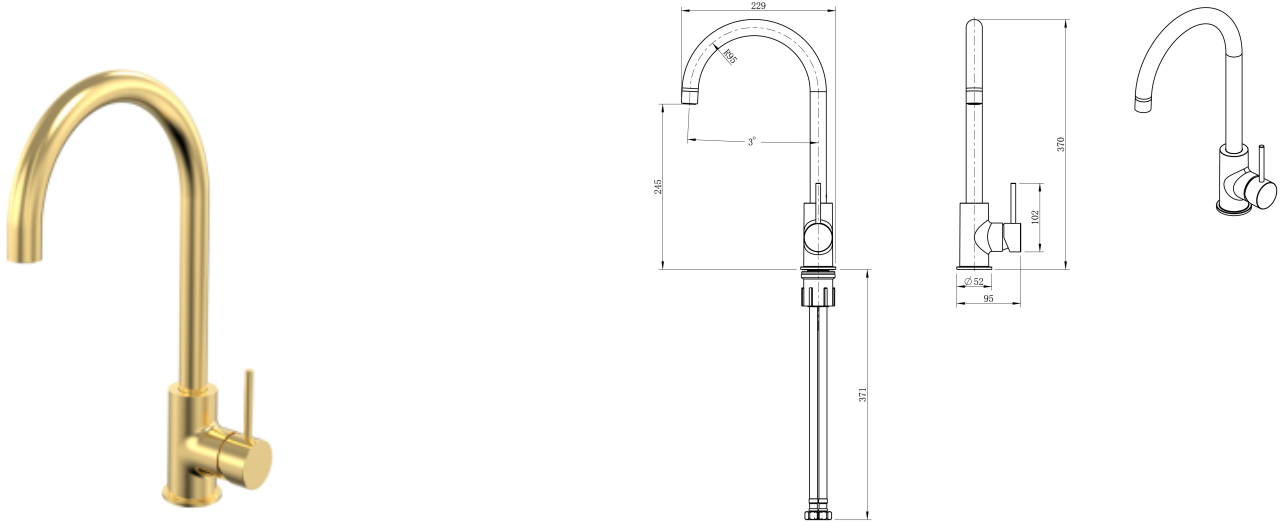


Cobra Tigris Cobra Tigris Pillar Type Sink Mixer BG



Range: Tigris
Description: Cobra Tigris Sink Mixer Pillar Type, 1/2 FI, Zinc alloy body+PPA insert, 35mm cartridge, Neoperl aerator core, Stainless Steel 201 outlet tube, Stainless Steel 304 M10xG1/2 X 38.6CM inlet hoses, Thread tube fixing set, Flow rate 12.73 l/min @300kPa, Brushed Gold.
Product Code: TG-970BG
ERP Code: 137068GN00
Barcode: 6002194165873
Product Features: Cobra FeatherTouch, Cobra TeamAssist, 10 Year Warranty, 2 years on coating, New Tigris
Dimensions: (l) 250mm x (w) 490mm x (h) 65mm
Package Weight: 1.34

Product Images



MOT



Cobra FeatherTouch



Cobra TeamAssist



2 years on coating



10 Year Warranty