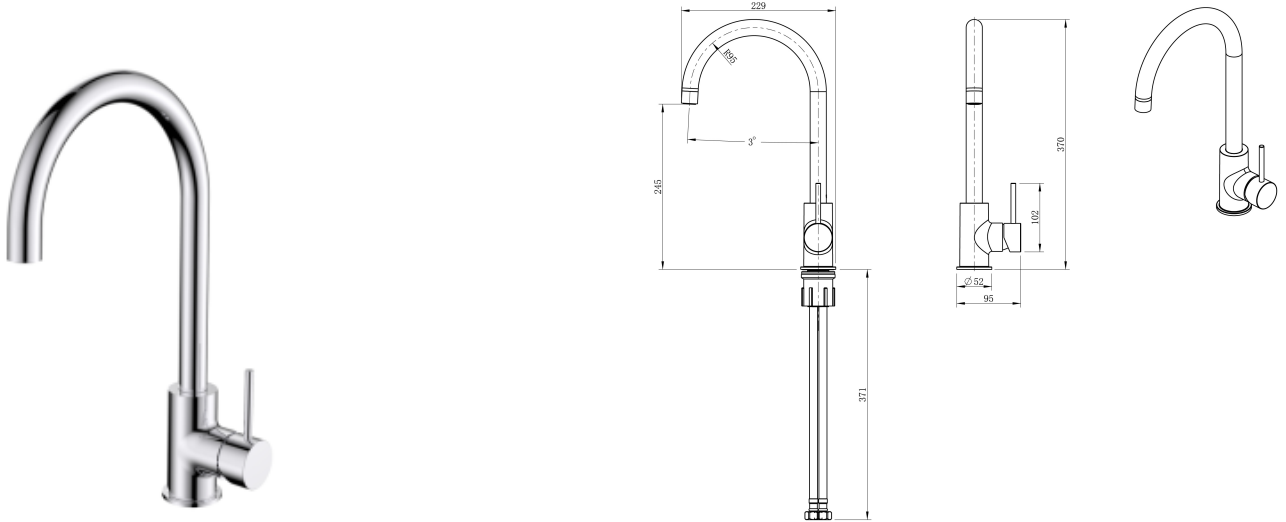


Cobra Tigris Cobra Tigris Pillar Type Sink Mixer CP



Range: Tigris
Description: Cobra Tigris Sink Mixer Pillar Type, 1/2 FI, Zinc alloy body+PPA insert, 35mm cartridge, Neoperl aerator core, Stainless Steel 201 outlet tube, Stainless Steel 304 M10xG1/2 X 38.6CM inlet hoses, Thread tube fixing set, Flow rate 12.73 l/min @300kPa, Chrome.
Product Code: TG-970
ERP Code: 1370520000
Barcode: 6002194165712
Product Features: Cobra PureShine, Cobra FeatherTouch, Cobra TeamAssist, 10 Year Warranty, New Tigris
Dimensions: (l) 250mm x (w) 490mm x (h) 65mm
Package Weight: 1.34

Product Images



MOT



Cobra FeatherTouch



Cobra PureShine



Cobra TeamAssist



10 Year Warranty