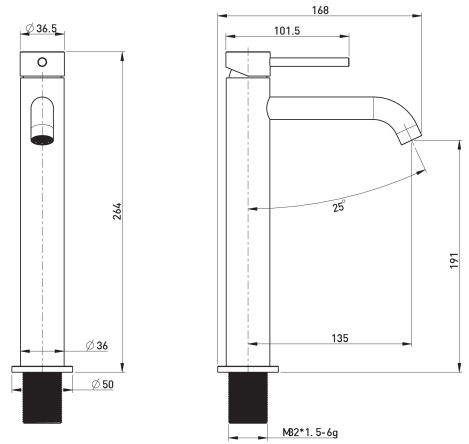


Cobra Tigris Cobra Tigris Raised Basin Mixer MB



Range: Tigris
Description: Cobra Tigris Basin Mixer Pillar Type Raised, 1/2 FI, Stainless Steel 304 body, 26mm cartridge, Neoperl aerator core, Stainless Steel 304 M10xG1/2 X 58.6CM inlet hoses, Thread tube, fixing set, Flow rate 9.69 l/min @300kPa, Matte Black.
Product Code: TG-951R-MB
ERP Code: 137058K000
Barcode: 6002194165774
Product Features: Cobra FeatherTouch, Cobra TeamAssist, 10 Year Warranty, 2 years on coating, New Tigris
Dimensions: (l) 195mm x (w) 380mm x (h) 65mm
Package Weight: 1.19

Product Images



MOT



Cobra FeatherTouch



Cobra TeamAssist



2 years on coating



10 Year Warranty