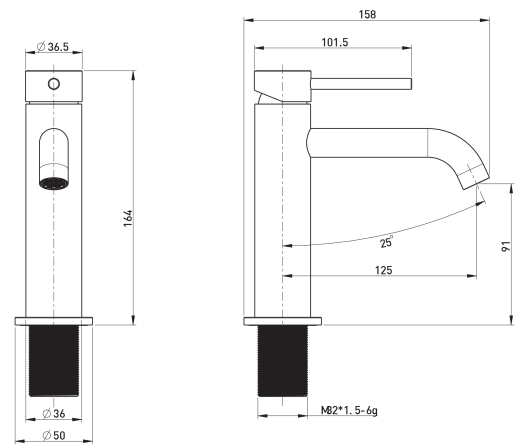


# Cobra Tigris Cobra Tigris Standard Basin Mixer MB



**Range:** Tigris  
**Description:** Cobra Tigris Basin Mixer PillarType Standard, 1/2 FI, Stainless Steel 304 body, 26mm cartridge, Neoperl aerator core Stainless Steel 304 M10xG1/2 X 38.6CM inlet hoses, Thread tube, fixing set, Flow rate 9.63 l/min @300kPa, Matte Black.  
**Product Code:** TG-951MB  
**ERP Code:** 137054K000  
**Barcode:** 6002194165736  
**Product Features:** Cobra FeatherTouch, Cobra TeamAssist, 10 Year Warranty, 2 years on coating, New Tigris  
**Dimensions:** (l) 185mm x (w) 280mm x (h) 65mm  
**Package Weight:** 1.05

## Product Images



## MOT



Cobra FeatherTouch



Cobra TeamAssist



2 years on coating



10 Year Warranty