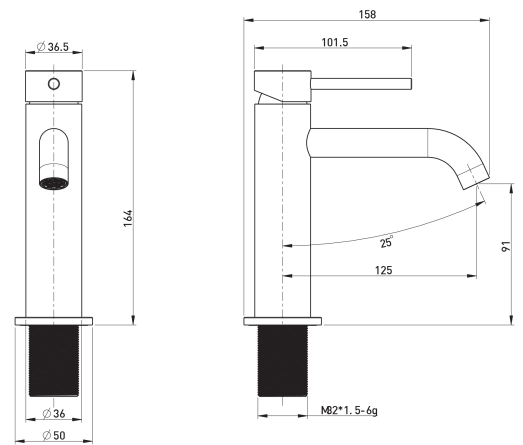


Cobra Tigris Cobra Tigris Standard Basin Mixer BN



Range: Tigris
Description: Cobra Tigris Basin Mixer PillarType Standard, 1/2 FI, Stainless Steel 304 body, 26mm cartridge, Neoperl aerator core Stainless Steel 304 M10xG1/2 X 38.6CM inlet hoses, Thread tube, fixing set, Flow rate 9.63 l/min @300kPa, Brushed Nickel.
Product Code: TG-951BN
ERP Code: 137070EN00
Barcode: 6002194165897
Product Features: Cobra FeatherTouch, Cobra TeamAssist, 10 Year Warranty, 2 years on coating, New Tigris
Dimensions: (l) 185mm x (w) 280mm x (h) 65mm
Package Weight: 1.05

Product Images



MOT



Cobra FeatherTouch



Cobra TeamAssist



2 years on coating



10 Year Warranty