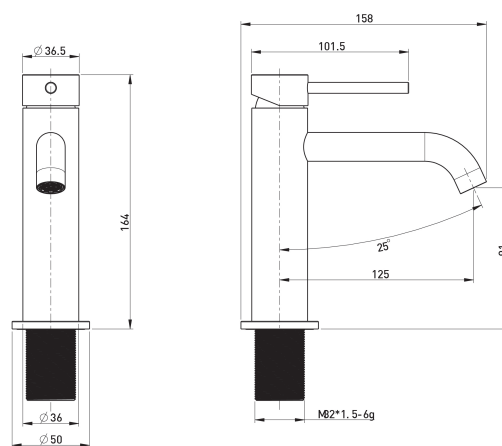


Cobra Tigris Cobra Tigris Standard Basin Mixer Chrome



Range: Tigris
Description: Cobra Tigris Basin Mixer PillarType Standard, 1/2 FI, Stainless Steel 304 body, 26mm cartridge, Neoperl aerator core Stainless Steel 304 M10xG1/2 X 38.6CM inlet hoses, Thread tube, fixing set, Flow rate 9.63 l/min @300kPa, Chrome.
Product Code: TG-951
ERP Code: 1369760000
Barcode: 6002194165651
Product Features: Cobra PureShine, Cobra FeatherTouch, Cobra TeamAssist, 10 Year Warranty, New Tigris
Dimensions: (l) 185mm x (w) 280mm x (h) 65mm
Package Weight: 1.05

Product Images



MOT



Cobra FeatherTouch



Cobra PureShine



Cobra TeamAssist



10 Year Warranty