

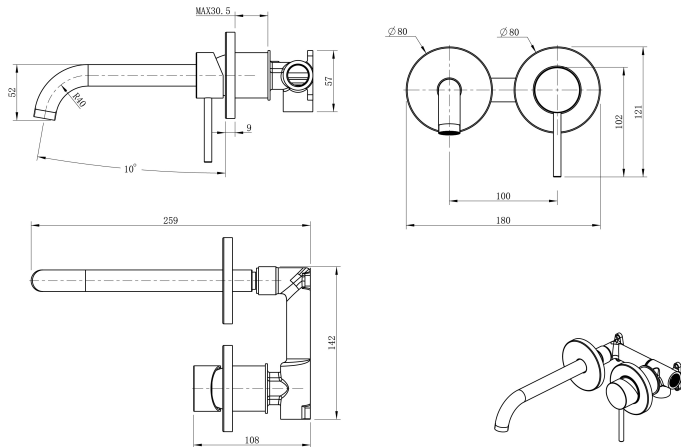
Cobra Tigris Basin Mixer Wall Mounted



Range: Tigris
Description: Cobra Tigris Basin Mixer Wall Type, 1/2 FI, Brass body, 35mm cartridge, Neoperl aerator core, Stainless Steel 201 outlet tube, Brass wall cover, Flow rate 7.98 l/min @300kPa, Matte Black. Care & Maintenance - Ensure your product does not come into contact with any lubricants during installation. Chrome plated, matte black and any colour finishes should be wiped with warm soapy water and a soft cloth or sponge. Rinse, then dry and buff with a dry soft cloth. Under no circumstances must any detergents containing hydrochloric acids or abrasives including cream cleansers be used. Do not use abrasive cleaning materials such as scourers. Should your product have an aerator at the water outlet, it should be checked and cleaned regularly.

Product Code: TG-940MB
ERP Code: 137059K000
Barcode: 6002194165781
Product Features: Cobra FeatherTouch, Cobra TeamAssist, 10 Year Warranty, DZR Brass, 2 years on coating, New Tigris
Dimensions: (l) 150mm x (w) 250mm x (h) 70mm
Package Weight: 1.18

Product Images



MOT



Cobra FeatherTouch



DZR Brass



Cobra TeamAssist



2 years on coating



10 Year Warranty