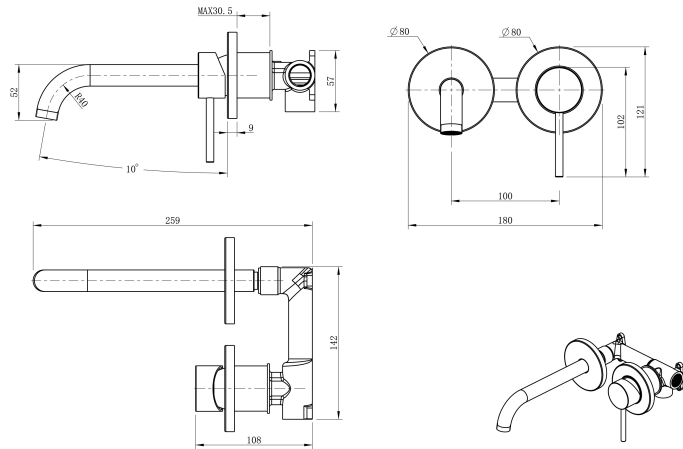
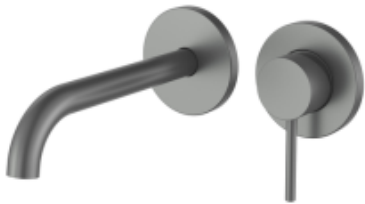


Cobra Tigris Cobra Tigris Basin Mixer Wall Type BGG



Range: Tigris
Description: Cobra Tigris Basin Mixer Wall Type, 1/2 FI, Brass body, 35mm cartridge, Neoperl aerator core, Stainless Steel 201 outlet tube, Brass wall cover, Flow rate 7.98 l/min @300kPa, Brushed Gun Grey.
Product Code: TG-940BGG
ERP Code: 1370832660
Barcode: 6002194166023
Product Features: Cobra FeatherTouch, Cobra TeamAssist, 10 Year Warranty, DZR Brass, 2 years on coating, New Tigris
Dimensions: (l) 150mm x (w) 250mm x (h) 70mm
Package Weight: 1.18

Product Images



MOT



Cobra FeatherTouch



DZR Brass



Cobra TeamAssist



2 years on coating



10 Year Warranty