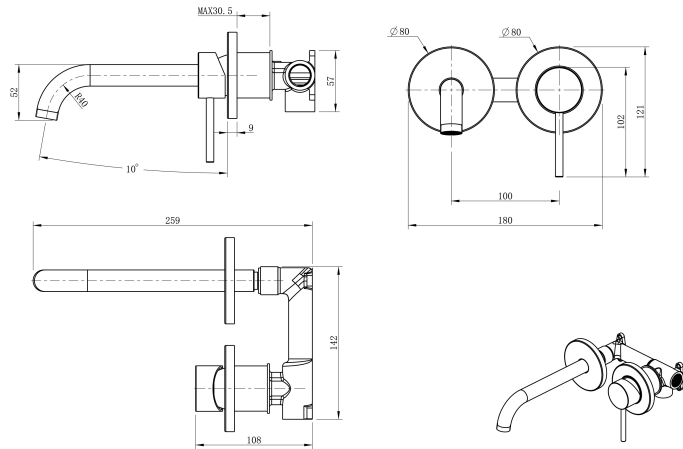


# Cobra Tigris Cobra Tigris Basin Mixer Wall Type Chrome



**Range:** Tigris  
**Description:** Cobra Tigris Basin Mixer Wall Type, 1/2 FI, Brass body, 35mm cartridge, Neoperl aerator core, Stainless Steel 201 outlet tube, Brass wall cover, Flow rate 7.98 l/min @300kPa, Chrome.  
**Product Code:** TG-940  
**ERP Code:** 1370510000  
**Barcode:** 6002194165705  
**Product Features:** Cobra PureShine, Cobra FeatherTouch, Cobra TeamAssist, 10 Year Warranty, DZR Brass, New Tigris  
**Dimensions:** (l) 150mm x (w) 250mm x (h) 70mm  
**Package Weight:** 1.18

## Product Images



## MOT



Cobra FeatherTouch



DZR Brass



Cobra PureShine



Cobra TeamAssist



10 Year Warranty