

Cobra Seine Brushed Nickel Freestanding Bath Mixer



Range: Seine Brushed Nickel

Description: Seine single lever freestanding bath mixer. Manufactured with dezincification resistant (DZR) brass. Brushed nickel items are coated using a physical vapour deposition (PVD) process. 35mm ceramic disc cartridge. Packaged with sturdy installation base and installation manual. Hand shower attachment contains a 1.5m hose & 3-function ABS plastic hand shower fitting. Access to TeamAssist technical service team. Carries a 10 year warranty on product functionality and 2 year warranty on brushed nickel coating. Care & Maintenance - Ensure your product does not come into contact with any lubricants during installation. Chrome plated, matte black and any colour finishes should be wiped with warm soapy water and a soft cloth or sponge. Rinse, then dry and buff with a dry soft cloth. Under no circumstances must any detergents containing hydrochloric acids or abrasives including cream cleansers be used. Do not use abrasive cleaning materials such as scourers. Should your product have an aerator at the water outlet, it should be checked and cleaned regularly.

Product Code: SE-980BN

ERP Code: 101157EN00

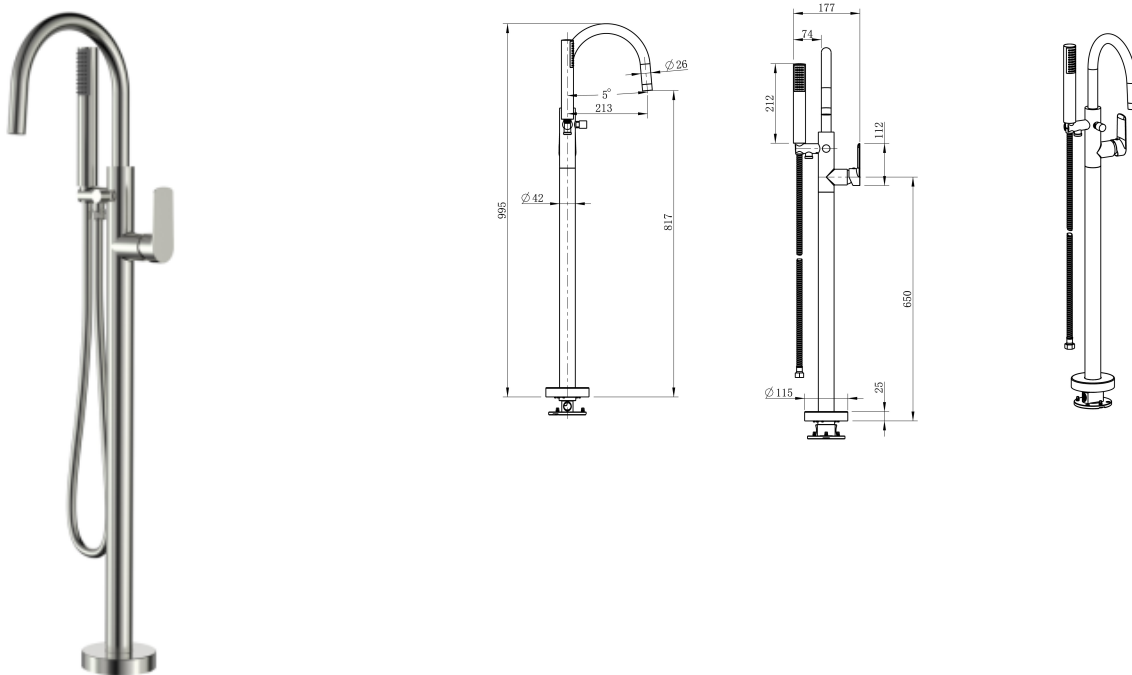
Barcode: 6002194153191

Product Features: Cobra FeatherTouch, Cobra TeamAssist, 10 Year Warranty, DZR Brass, 2 years on coating, New Seine Colours

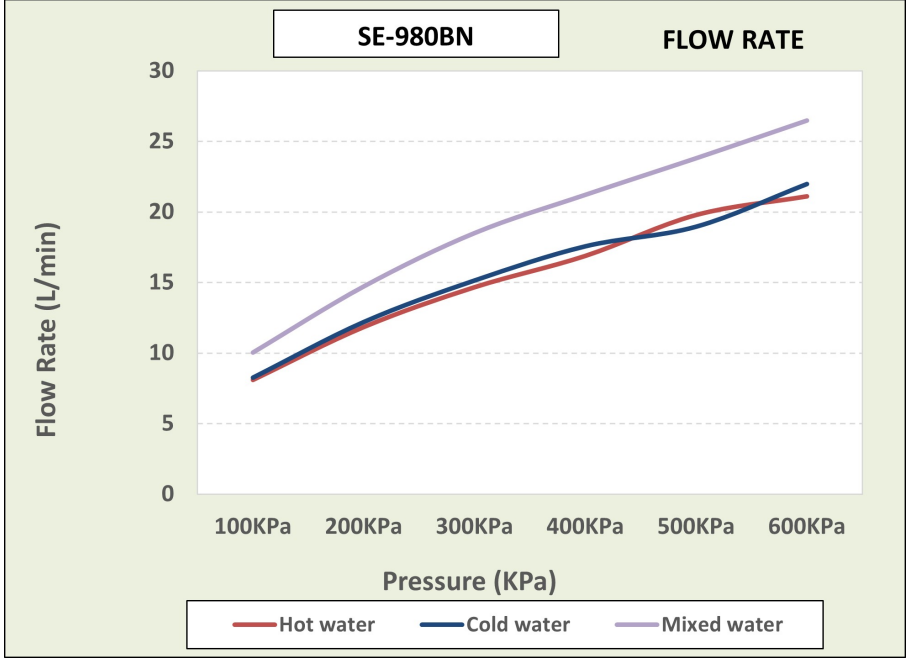
Dimensions: (l) 1055mm x (w) 105mm x (h) 350mm

Package Weight: 7

Product Images



Flow Chart



MOT



Cobra TeamAssist



DZR Brass



Cobra FeatherTouch



10 Year Warranty



2 years on coating