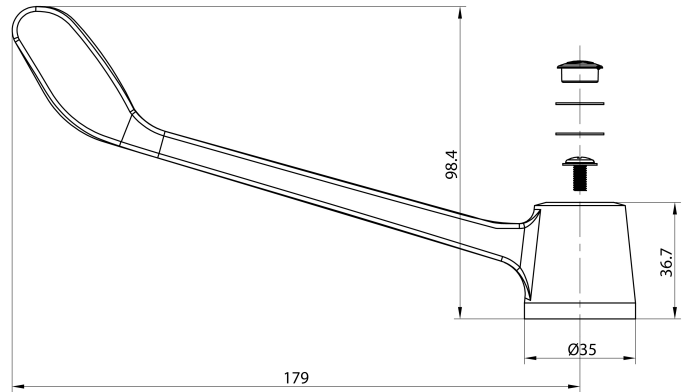
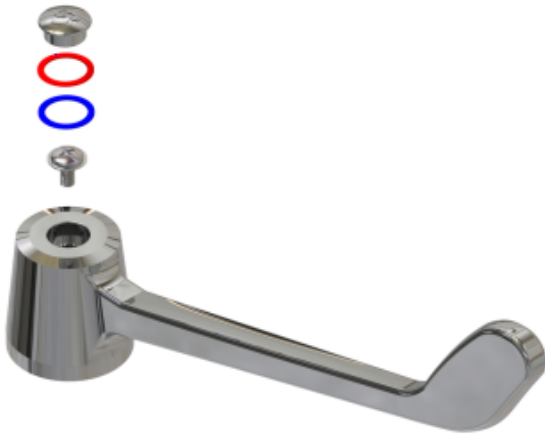


Cobra Medical Heavy Pattern Lever



Range: Medical Heavy Pattern
Description: Heavy Pattern Medical elbow-action lever for medical mixer, chrome.
Product Code: S-500/1/HP
ERP Code: 1033790000
Barcode: 6002194156925
Product Features: Cobra PureShine, Cobra DefenZR, Cobra TeamAssist, Cobra Genuine, No Warranty
Dimensions: (l) 245mm x (w) 60mm x (h) 50mm
Package Weight: 0.3

Product Images



MOT



Cobra Genuine



Cobra TeamAssist



Cobra PureShine



Cobra DefenZR