

Cobra Metsi Original Basin Mixer Standard



Range: Metsi Original

Description: Cobra Metsi Original Chrome plated, fixed spout, basin mixer. The original rounded design. 2 X 1/2" BSP female iron connection ends. Made with de-zincification resistant brass for increased durability. With Cobra EasySwitch technology enabling your handle to be replaced by one of a different Cobra Original design. Cobra Genuine spare parts available. Cobra TeamAssist service team on call. Includes a 20 year LIXIL Africa warranty. Care & Maintenance - Ensure your product does not come into contact with any lubricants during installation. Chrome plated, matte black and any colour finishes should be wiped with warm soapy water and a soft cloth or sponge. Rinse, then dry and buff with a dry soft cloth. Under no circumstances must any detergents containing hydrochloric acids or abrasives including cream cleansers be used. Do not use abrasive cleaning materials such as scourers. Should your product have an aerator at the water outlet, it should be checked and cleaned regularly.

Product Code: MI-294/NV

ERP Code: FBN2D1ME-0GT02

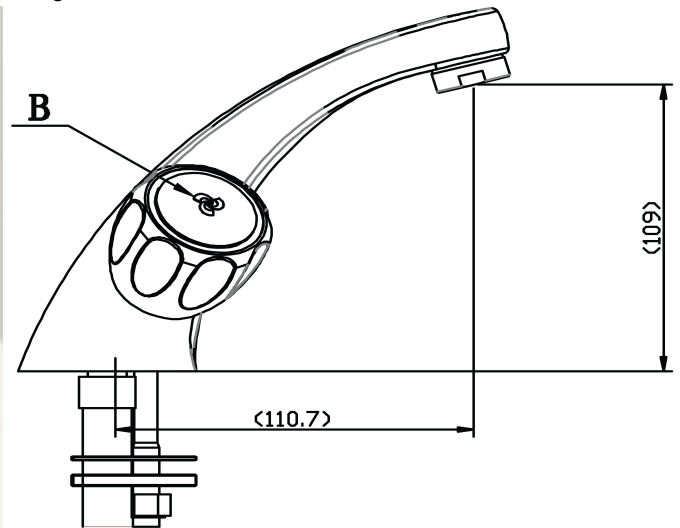
Barcode: 6002194061465

Product Features: Cobra TeamAssist, Cobra Genuine, Cobra EasySwitch, DZR Brass, 20 Year Warranty, JaswicApproved, Original

Dimensions: (l) 185mm x (w) 175mm x (h) 155mm

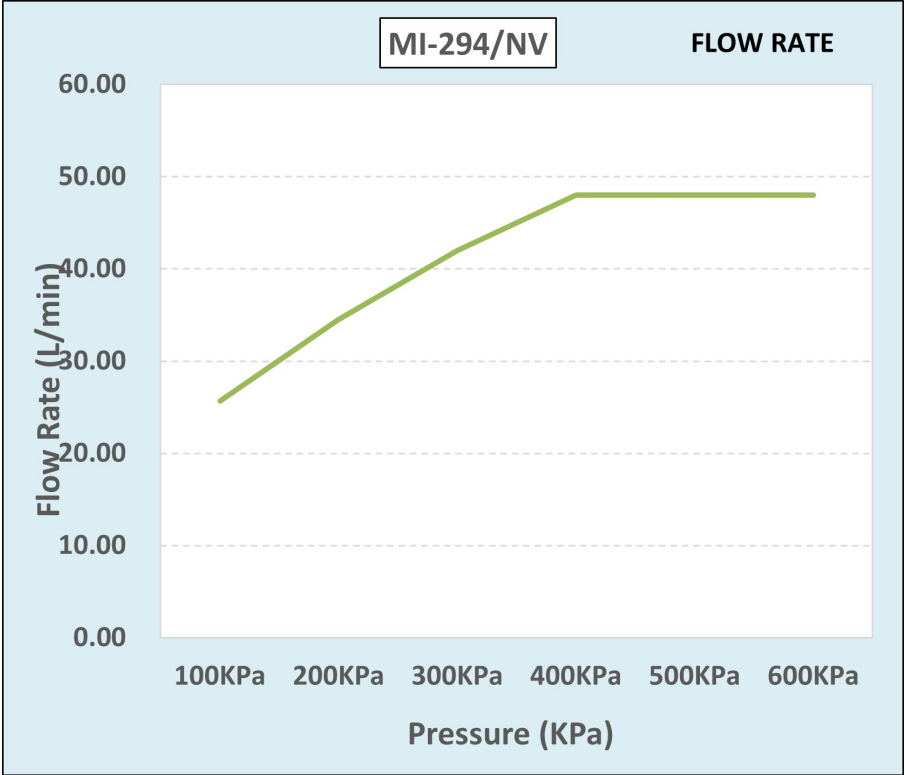
Package Weight: 1.6

Product Images



MI-294/N

Flow Chart



MOT



Cobra Genuine



Cobra TeamAssist



Cobra EasySwitch



20 Year Warranty



DZR Brass



JaswicApproved