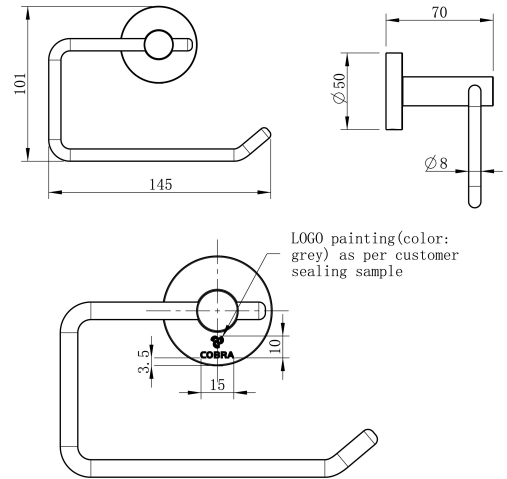


Cobra Seine Matte Black Toilet Paper Holder



Range: Seine Matte Black
Description: Toilet paper holder made with stainless steel with matte black coating Includes: mounting screws
Product Code: AC-TPH-BLK
ERP Code: 103987K000
Barcode: 6002194157427
Product Features: Cobra TeamAssist, 5 Year Warranty, 2 years on coating
Dimensions: (l) 155mm x (w) 80mm x (h) 100mm
Package Weight: 0.3

Product Images



MOT



5 Year Warranty



Cobra TeamAssist



2 years on coating