

# Cobra Medical Heavy Pattern Basin Mixer PT swivel spout 15mm CP



**Range:** Medical Heavy Pattern

**Description:** Heavy Pattern Medical elbow action sink mixer, chrome, with aerated swivel outlet. 1/4 turn ceramic disc, 1/2BSP male inlets. Includes: pillar-type mixer with aerated swivel outlet. Ideal for medical, kitchen and industrial installations.

**Product Code:** 521-21/HP

**ERP Code:** 1033780000

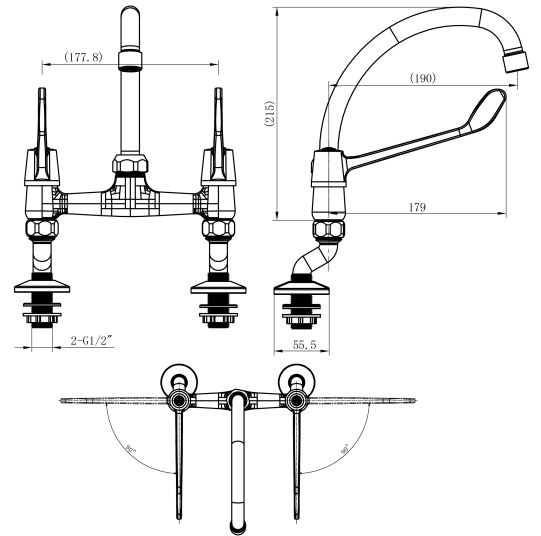
**Barcode:** 6002194156918

**Product Features:** Cobra PureShine, Cobra EcoMind, Cobra DefenZR, Cobra TeamAssist, Cobra LowPressure, 20 Year Warranty, JaswicApproved

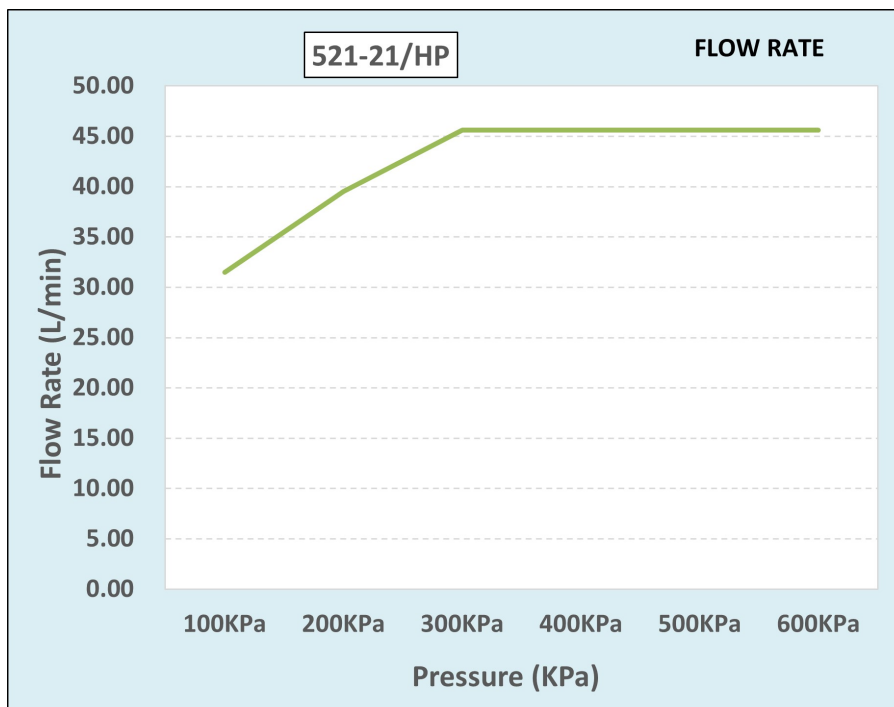
**Dimensions:** (l) 250mm x (w) 100mm x (h) 190mm

**Package Weight:** 2

## Product Images



## Flow Chart





Cobra TeamAssist



Cobra EcoMind



Cobra PureShine



Cobra DefenZR



Cobra LowPressure



20 Year Warranty



JaswicApproved