

Cobra Medical Heavy Pattern Basin Mixer WT fixed spout 15mm CP



Range: Medical Heavy Pattern

Description: Heavy Pattern Medical elbow-action, wall-type mixer, chrome. Includes: 1/4 turn ceramic disc, 1/2 BSP male inlet, and aerated fixed straight outlet. Ideal for medical, kitchen and industrial installations. Care & Maintenance - Ensure your product does not come into contact with any lubricants during installation. Chrome plated, matte black and any colour finishes should be wiped with warm soapy water and a soft cloth or sponge. Rinse, then dry and buff with a dry soft cloth. Under no circumstances must any detergents containing hydrochloric acids or abrasives including cream cleansers be used. Do not use abrasive cleaning materials such as scourers. Should your product have an aerator at the water outlet, it should be checked and cleaned regularly.

Product Code: 510-21/HP

ERP Code: 1033750000

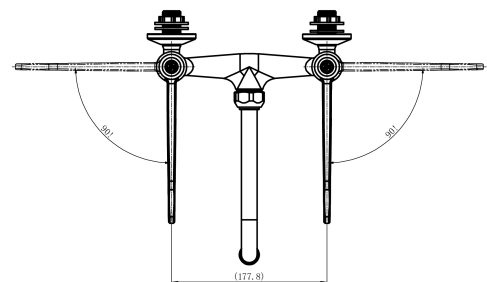
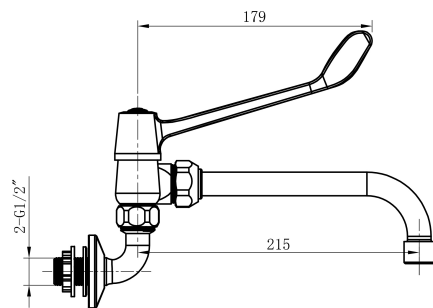
Barcode: 6002194156888

Product Features: Cobra PureShine, Cobra EcoMind, Cobra DefenZR, Cobra TeamAssist, Cobra LowPressure, 20 Year Warranty, JaswicApproved

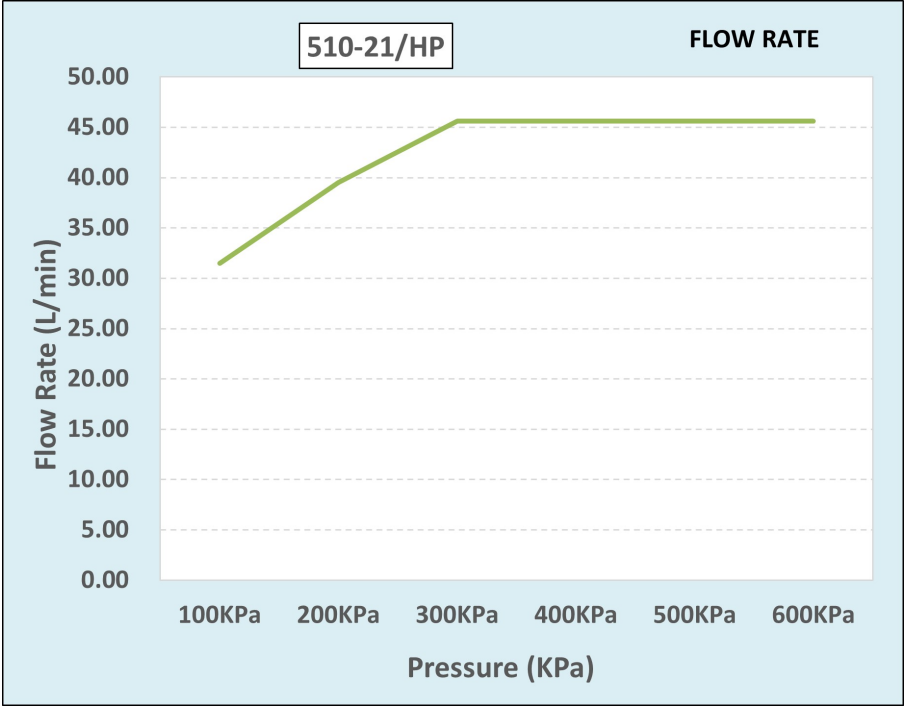
Dimensions: (l) 250mm x (w) 110mm x (h) 170mm

Package Weight: 1.81

Product Images



Flow Chart



MOT



Cobra TeamAssist



Cobra EcoMind



Cobra PureShine



Cobra DefenZR



Cobra LowPressure



20 Year Warranty



JasvicApproved