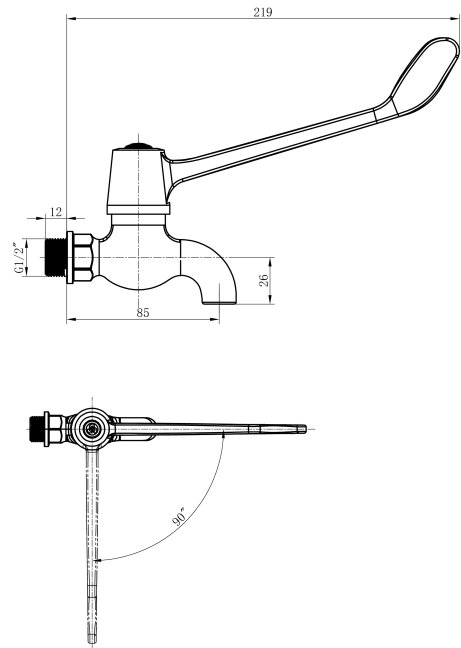


Cobra Medical Heavy Pattern Bibtap heavy patt red 15mm CP

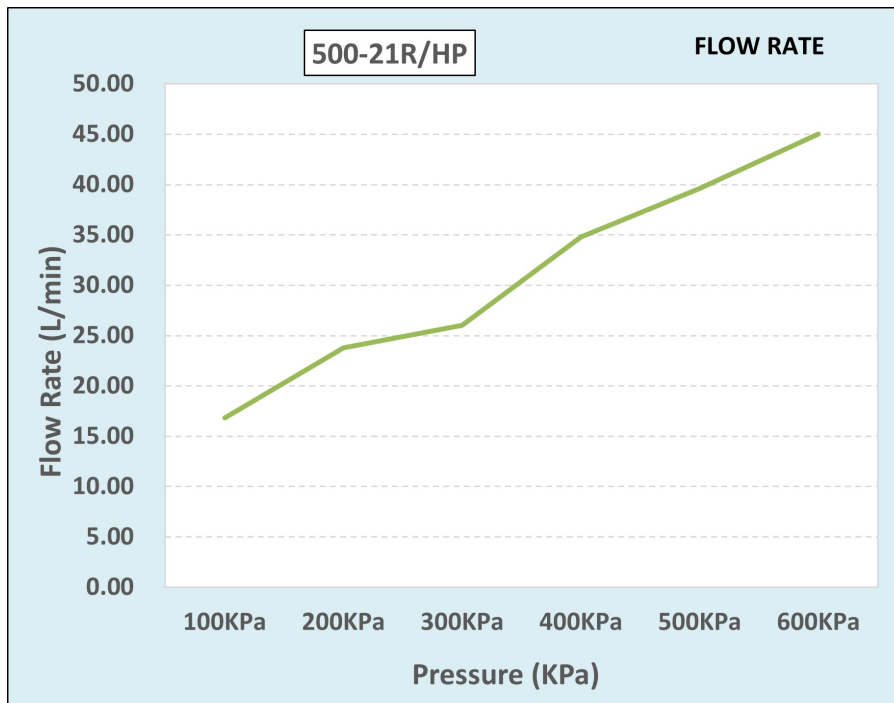


Range: Medical Heavy Pattern
Description: Heavy Pattern Medical elbow-action bib tap, chrome. Includes: red indice, 1/4 turn ceramic disc head part, and 1/2 BSP male inlet. Ideal for medical, kitchen and industrial installations.
Product Code: 500-21R/HP
ERP Code: 1033490000
Barcode: 6002194156826
Product Features: Cobra PureShine, Cobra DefenZR, Cobra TeamAssist, Cobra LowPressure, 20 Year Warranty, JaswicApproved
Dimensions: (l) 265mm x (w) 60mm x (h) 110mm
Package Weight: 0.6

Product Images



Flow Chart



MOT



Cobra TeamAssist



Cobra PureShine



Cobra DefenZR



Cobra LowPressure



20 Year Warranty



JaswicApproved