

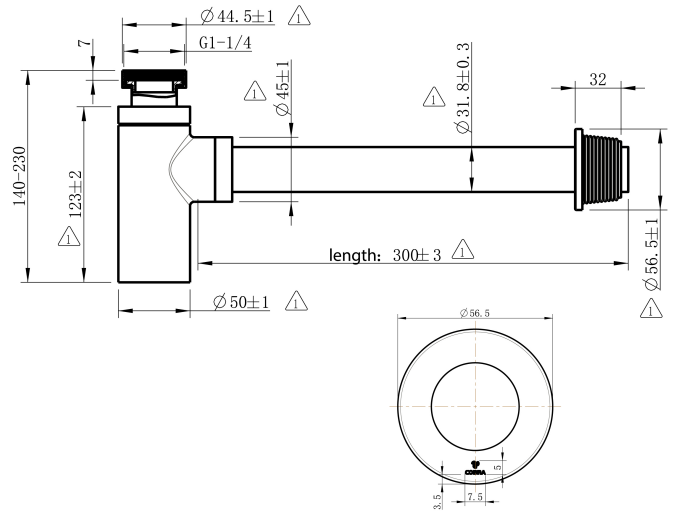
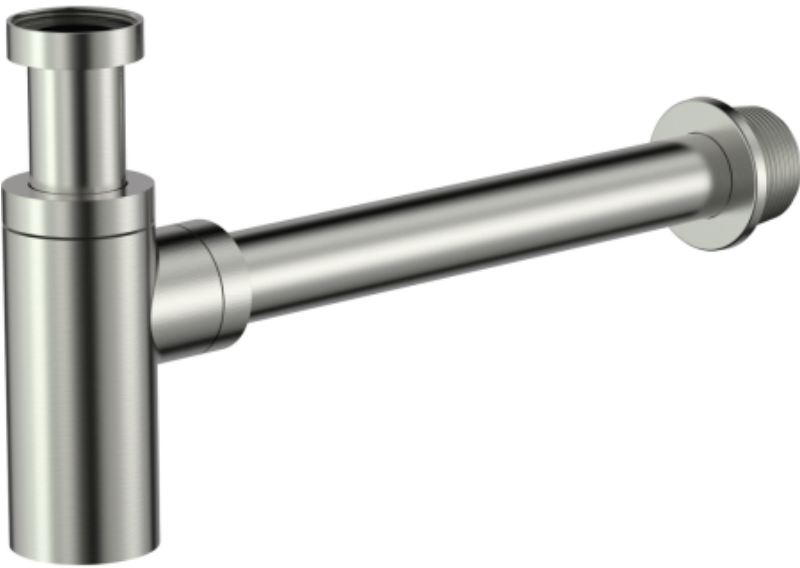
Cobra Seine Brushed Nickel Bottle Trap 32mm



Range: Seine Brushed Nickel
Description: Bottle trap, brushed nickel, incorporates a high specification polymer blend body component with 32mm deep re-seal, 1 1/4inch female inlet x 1 1/4inch male outlet. Care & Maintenance - Ensure your product does not come into contact with any lubricants during installation. Chrome plated, matte black and any colour finishes should be wiped with warm soapy water and a soft cloth or sponge. Rinse, then dry and buff with a dry soft cloth. Under no circumstances must any detergents containing hydrochloric acids or abrasives including cream cleansers be used. Do not use abrasive cleaning materials such as scourers. Should your product have an aerator at the water outlet, it should be checked and cleaned regularly.

Product Code: 340BN
ERP Code: 103980EN00
Barcode: 6002194157359
Product Features: Cobra TeamAssist, 20 Year Warranty, 2 years on coating
Dimensions: (l) 365mm x (w) 65mm x (h) 155mm
Package Weight: 0.84

Product Images



MOT



20 Year Warranty



Cobra TeamAssist



2 years on coating