

Cobra Matte Black Accessories Waste - Bath matte black



Range: Matte Black Accessories

Description: Click type. Unslotted, with integral plug. 70mm Ø flange, 40mm long shank. Brass, 1 1/2BSP Male iron connection end. 2 year warranty on black coating
Care & Maintenance - Ensure your product does not come into contact with any lubricants during installation. Chrome plated, matte black and any colour finishes should be wiped with warm soapy water and a soft cloth or sponge. Rinse, then dry and buff with a dry soft cloth. Under no circumstances must any detergents containing hydrochloric acids or abrasives including cream cleansers be used. Do not use abrasive cleaning materials such as scourers. Should your product have an aerator at the water outlet, it should be checked and cleaned regularly.

Product Code: 318-40BLK

ERP Code: 1007022430

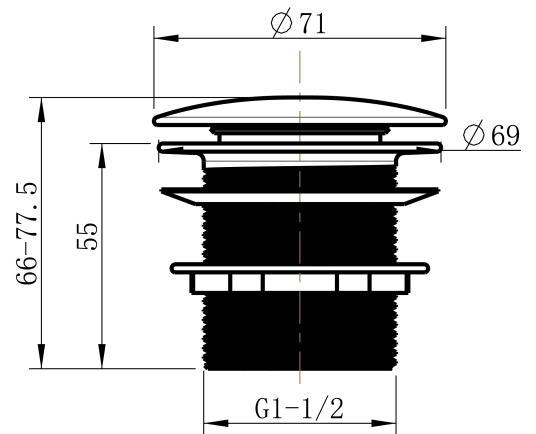
Barcode: 6002194063926

Product Features: 20 Year Warranty, 2 years on coating, New Seine Colours

Dimensions: (l) 90mm x (w) 80mm x (h) 80mm

Package Weight: 0.3

Product Images



MOT



20 Year Warranty



2 years on coating