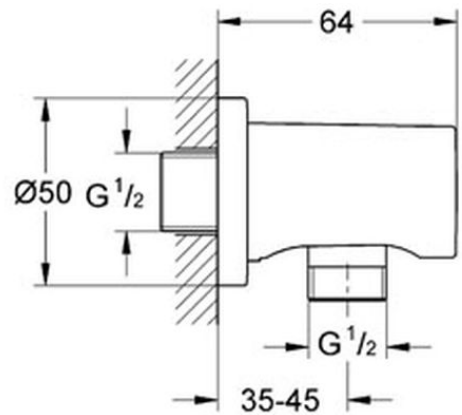


Grohe Rainshower Shower outlet elbow, 1/2



Range: Rainshower
Description: GROHE Rainshower shower outlet elbow – suitable for concealed showers with additional hand shower - male connection thread 1/2", with round escutcheon, protected against backflow, GROHE Long-Life finish
Product Code: G-27057000
ERP Code: G-27057000
Barcode: 4005176830457
Product Features: 5 Year Warranty, GROHE Long-Life finish
Dimensions: (l) 75mm x (w) 80mm x (h) 70mm
Package Weight: 0.17
CAD3D: [Download](#)

Product Images



MOT



5 Year Warranty



GROHE Long-Life finish



Cobra TeamAssist 20 Year Warranty 2 years on coating