

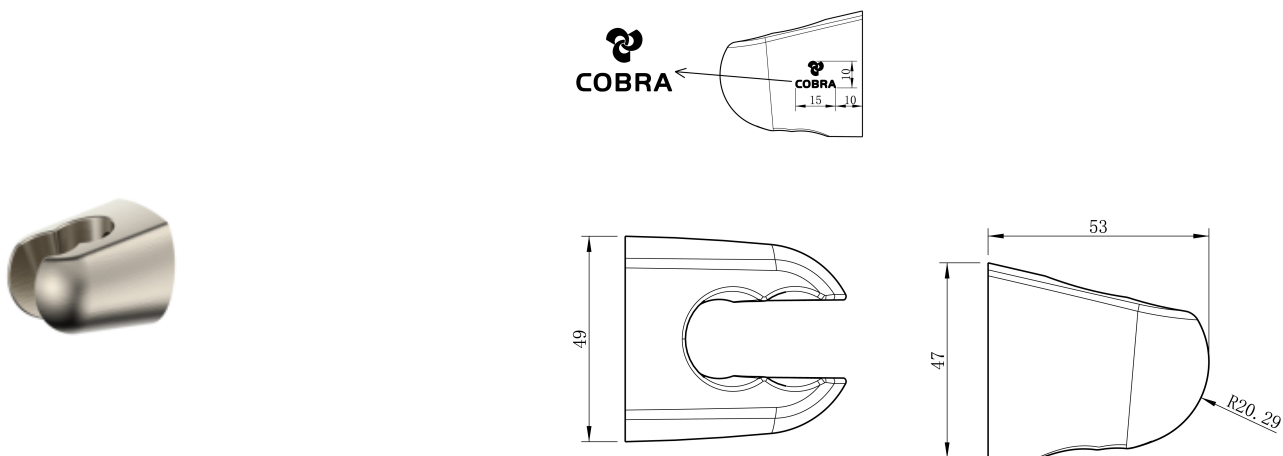
Cobra Seine Brushed Nickel Shower Holder



Range: Seine Brushed Nickel
Description: Hand shower holder allowing 2 ways to position the hand shower. Fixing set included. Items are coated using a physical vapour deposition (PVD) process. Carries a 5 year warranty on functionality, 2 year warranty on brushed nickel coating. Care & Maintenance - Ensure your product does not come into contact with any lubricants during installation. Chrome plated, matte black and any colour finishes should be wiped with warm soapy water and a soft cloth or sponge. Rinse, then dry and buff with a dry soft cloth. Under no circumstances must any detergents containing hydrochloric acids or abrasives including cream cleansers be used. Do not use abrasive cleaning materials such as scourers. Should your product have an aerator at the water outlet, it should be checked and cleaned regularly.

Product Code: 28080BN
ERP Code: 101151EN00
Barcode: 6002194153139
Product Features: Cobra TeamAssist, 5 Year Warranty, 2 years on coating, New Seine Colours
Dimensions: (l) 75mm x (w) 55mm x (h) 60mm
Package Weight: 0.01

Product Images



MOT



Cobra TeamAssist



5 Year Warranty



2 years on coating