

Cobra Star Heavy Pattern Pillar Tap



Range: Star Heavy Pattern

Description: Cobra Star Heavy Pattern Chrome plated pillar tap including hot & cold indices. The original star-shaped design. Well-suited for use in low water pressure environments. 1/2" BSP male connection ends. Made with de-zincification resistant brass for increased durability. Cobra TeamAssist service team on call. Includes a 20 year LIXIL Africa warranty. Care & Maintenance - Ensure your product does not come into contact with any lubricants during installation. Chrome plated, matte black and any colour finishes should be wiped with warm soapy water and a soft cloth or sponge. Rinse, then dry and buff with a dry soft cloth. Under no circumstances must any detergents containing hydrochloric acids or abrasives including cream cleansers be used. Do not use abrasive cleaning materials such as scourers. Should your product have an aerator at the water outlet, it should be checked and cleaned regularly.

Product Code: 111-15/NV

ERP Code: 1007850000

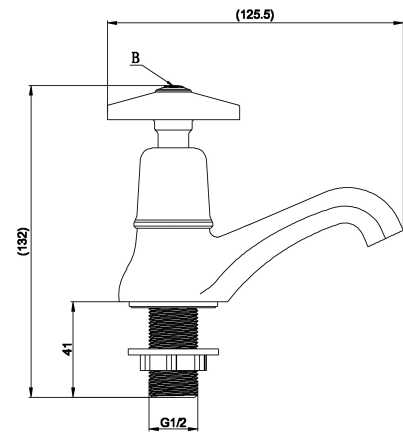
Barcode: 6002194063766

Product Features: Cobra TeamAssist, Cobra LowPressure, DZR Brass, 20 Year Warranty, JaswicApproved

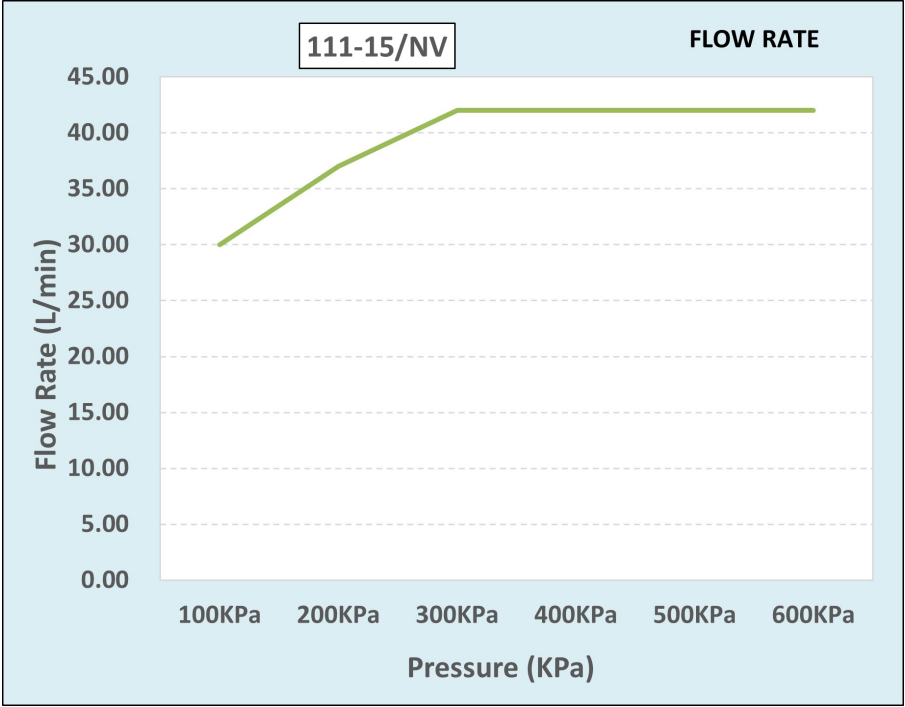
Dimensions: (l) 16mm x (w) 16mm x (h) 6mm

Package Weight: 0.6

Product Images



Flow Chart



MOT



Cobra TeamAssist



20 Year Warranty



DZR Brass



JasvicApproved



Cobra LowPressure