

# Cobra Star Heavy Pattern Hose Bib Tap



**Range:** Star Heavy Pattern

**Description:** Cobra Star Heavy Pattern Chrome plated hose bib tap including hot & cold indices. The original star-shaped design. Well-suited for use in low water pressure environments. 1/2" BSP male connection end; 3/4" BSP hose union. Made with de-zincification resistant brass for increased durability. Cobra TeamAssist service team on call. Includes a 20 year LIXIL Africa warranty. Care & Maintenance - Ensure your product does not come into contact with any lubricants during installation. Chrome plated, matte black and any colour finishes should be wiped with warm soapy water and a soft cloth or sponge. Rinse, then dry and buff with a dry soft cloth. Under no circumstances must any detergents containing hydrochloric acids or abrasives including cream cleansers be used. Do not use abrasive cleaning materials such as scourers. Should your product have an aerator at the water outlet, it should be checked and cleaned regularly.

**Product Code:** 107EC-15/NV

**ERP Code:** 1007870000

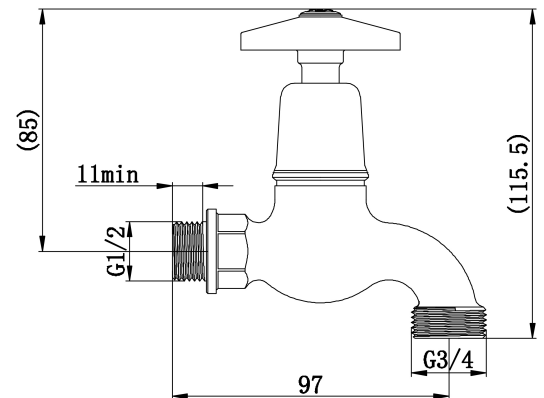
**Barcode:** 6002194063704

**Product Features:** Cobra TeamAssist, Cobra LowPressure, DZR Brass, 20 Year Warranty, JaswicApproved

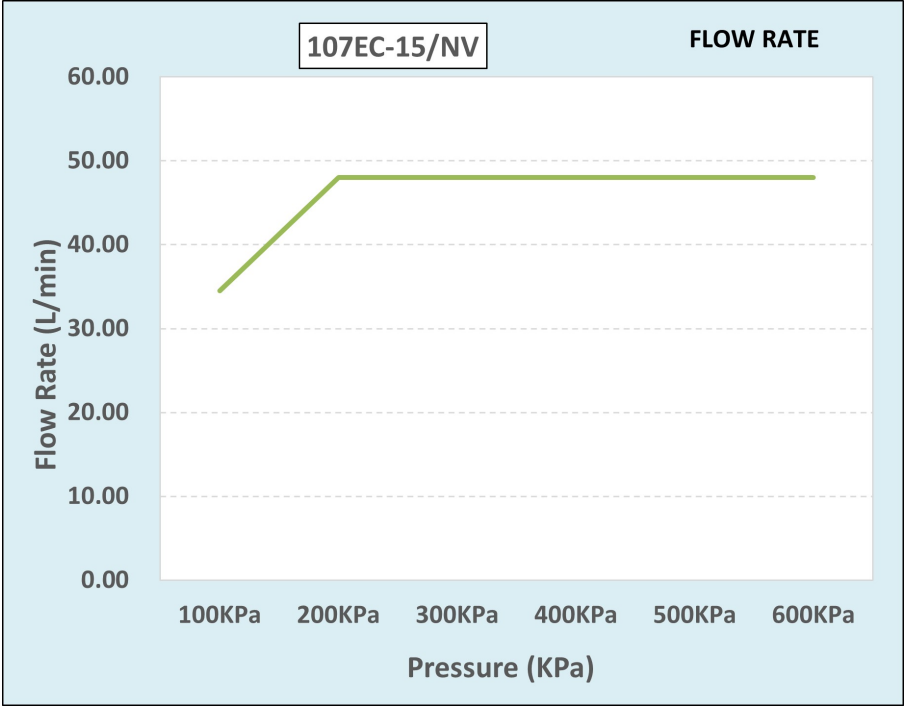
**Dimensions:** (l) 14.5mm x (w) 14.5mm x (h) 6mm

**Package Weight:** 0.5

## Product Images



## Flow Chart



MOT



Cobra TeamAssist



20 Year Warranty



DZR Brass



JasvicApproved



Cobra LowPressure