

# Cobra Seine Brushed Nickel Shower Arm



**Range:** Seine Brushed Nickel

**Description:** Seine 300mm wall-mounted shower arm in a round aesthetic. Flange included. Manufactured from stainless steel. Items are coated using a physical vapour deposition (PVD) process. 1/2" BSP connection ends. Carries a 5 year warranty on functionality, 2 year warranty on brushed nickel coating. Care & Maintenance - Ensure your product does not come into contact with any lubricants during installation. Chrome plated, matte black and any colour finishes should be wiped with warm soapy water and a soft cloth or sponge. Rinse, then dry and buff with a dry soft cloth. Under no circumstances must any detergents containing hydrochloric acids or abrasives including cream cleansers be used. Do not use abrasive cleaning materials such as scourers. Should your product have an aerator at the water outlet, it should be checked and cleaned regularly.

**Product Code:** 029BN

**ERP Code:** 101170EN00

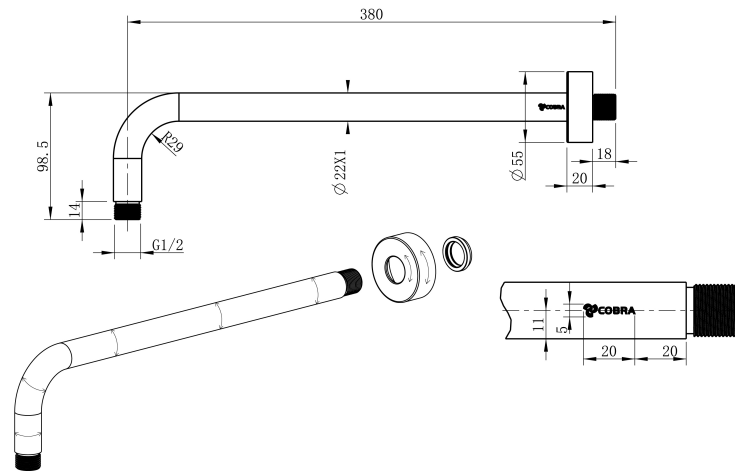
**Barcode:** 6002194153405

**Product Features:** Cobra TeamAssist, 5 Year Warranty, 2 years on coating, New Seine Colours

**Dimensions:** (l) 410mm x (w) 30mm x (h) 110mm

**Package Weight:** 0.3

## Product Images



## MOT



Cobra TeamAssist



5 Year Warranty



2 years on coating