

Cobra Seine Brushed Nickel Hand Shower Hose



Range: Seine Brushed Nickel

Description: 1 500mm smooth-look hand shower hose. 1/2" BSP connection ends. Items are coated using a physical vapour deposition (PVD) process. Carries a 5 year warranty on functionality, 2 year warranty on brushed gun nickel coating. Care & Maintenance - Ensure your product does not come into contact with any lubricants during installation. Chrome plated, matte black and any colour finishes should be wiped with warm soapy water and a soft cloth or sponge. Rinse, then dry and buff with a dry soft cloth. Under no circumstances must any detergents containing hydrochloric acids or abrasives including cream cleansers be used. Do not use abrasive cleaning materials such as scourers. Should your product have an aerator at the water outlet, it should be checked and cleaned regularly.

Product Code: 008-BN

ERP Code: 101154EN00

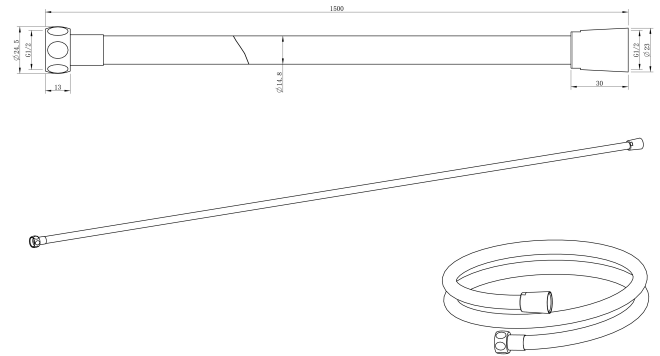
Barcode: 6002194153160

Product Features: Cobra TeamAssist, 5 Year Warranty, 2 years on coating, New Seine Colours

Dimensions: (l) 230mm x (w) 45mm x (h) 215mm

Package Weight: 0.4

Product Images



Cobra TeamAssist

MOT



5 Year Warranty



2 years on coating