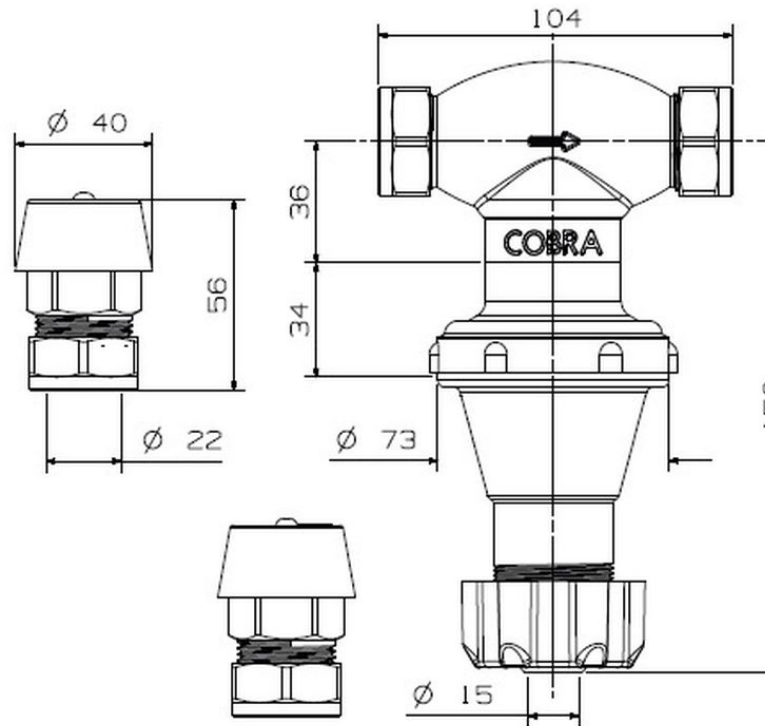


# Cobra Masterflo II Pressure Control Valve 200kPa Copper x Copper 22mm



**Range:** Masterflo II  
**Description:** 200 kPa Masterflo 2. With integral expansion relief valve and replaceable cartridge. Stainless steel strainer. 22mm compression inlet and outlet. Ø15mm Push fit expansion relief outlet. System pressure 200kPa. Maximum inlet pressure 2,500kPa.  
**Product Code:** PA4-722/N  
**ERP Code:** FPC1M202-7FT01  
**Barcode:** 6002194024682  
**Product Features:** Cobra TeamAssist, Cobra Genuine, DZR Brass, 2 Year Warranty  
**Dimensions:** (l) 200mm x (w) 130mm x (h) 90mm  
**Package Weight:** 1.02

## Product Images



## MOT



Cobra TeamAssist



Cobra Genuine



2 Year Warranty



DZR Brass



h: 100px;">  
DZR Brass