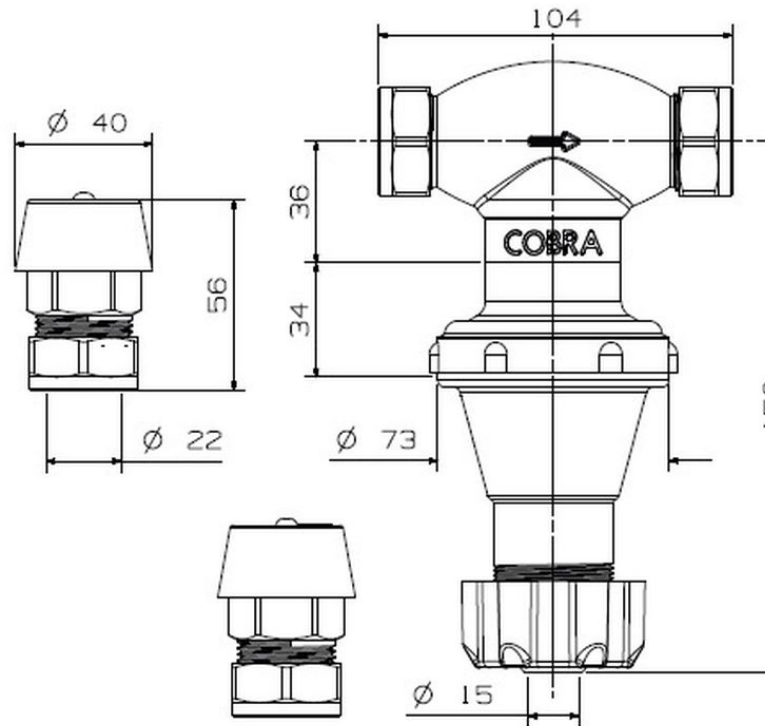


Cobra Masterflo II Pressure Control Valve 200kPa Copper x Copper 22mm



Range: Masterflo II
Description: 200 kPa Masterflo 2. With integral expansion relief valve and replaceable cartridge. Stainless steel strainer. 22mm compression inlet and outlet. Ø15mm Push fit expansion relief outlet. System pressure 200kPa. Maximum inlet pressure 2,500kPa.
Product Code: PA4-722/N
ERP Code: FPC1M202-7FT01
Barcode: 6002194024682
Product Features: Cobra TeamAssist, Cobra Genuine, DZR Brass, 2 Year Warranty
Dimensions: (l) 200mm x (w) 130mm x (h) 90mm
Package Weight: 1.02

Product Images



MOT



Cobra TeamAssist



Cobra Genuine



2 Year Warranty



DZR Brass



h: 100px;">
DZR Brass