

Cobra Cobra Shower arm



Range: Cobra
Description: Shower arm with wall flange, chrome-plated. 110mm throw. G1/2M X G1/2M Brass construction Care & Maintenance - Ensure your product does not come into contact with any lubricants during installation. Chrome plated, matte black and any colour finishes should be wiped with warm soapy water and a soft cloth or sponge. Rinse, then dry and buff with a dry soft cloth. Under no circumstances must any detergents containing hydrochloric acids or abrasives including cream cleansers be used. Do not use abrasive cleaning materials such as scourers. Should your product have an aerator at the water outlet, it should be checked and cleaned regularly.

Product Code: P-024

ERP Code: FSACAR10-0GTPP0150

Barcode: 6002194048107

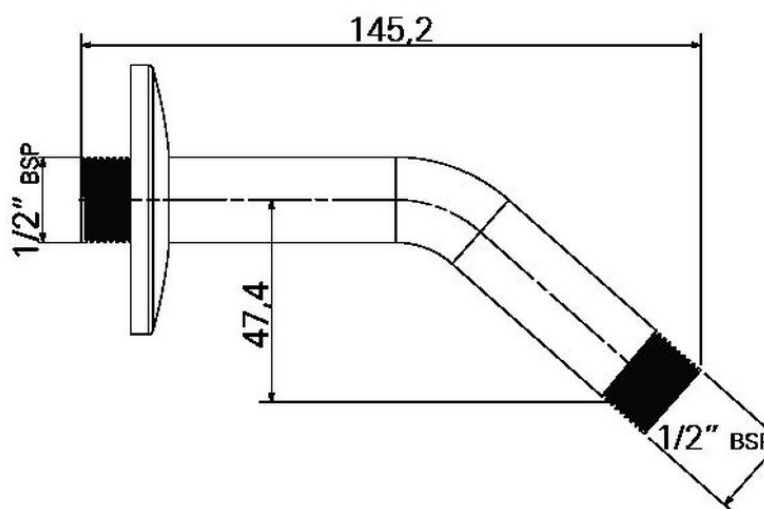
Product Features: Cobra PureShine, Cobra TeamAssist, Cobra Genuine, 5 Year Warranty

Dimensions:

(l) 200mm x (w) 250mm x (h) 70mm

Package Weight: 0.1

Product Images



MOT



Cobra PureShine



Cobra TeamAssist



Cobra Genuine



5 Year Warranty