

Cobra Metsi Stop Tap Concealed Compression 15mm



Range: Metsi

Description: With sliding wall flange. 15mm compression connection ends. CP Care & Maintenance - Ensure your product does not come into contact with any lubricants during installation. Chrome plated, matte black and any colour finishes should be wiped with warm soapy water and a soft cloth or sponge. Rinse, then dry and buff with a dry soft cloth. Under no circumstances must any detergents containing hydrochloric acids or abrasives including cream cleansers be used. Do not use abrasive cleaning materials such as scourers. Should your product have an aerator at the water outlet, it should be checked and cleaned regularly.

Product Code: MI-238-15/N

ERP Code: FSTAC1ME-0GT01

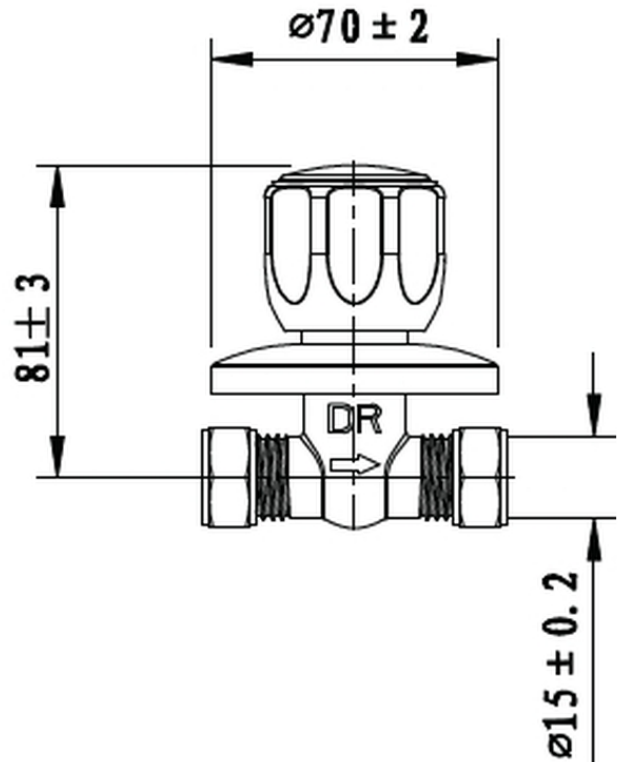
Barcode: 6002194032311

Product Features: Cobra PureShine, Cobra TeamAssist, Cobra Genuine, Cobra EasySwitch, DZR Brass, 20 Year Warranty

Dimensions: (l) 130mm x (w) 90mm x (h) 80mm

Package Weight: 0.45

Product Images



MOT



Cobra PureShine



Cobra EasySwitch



Cobra TeamAssist



Cobra Genuine



20 Year Warranty



DZR Brass