

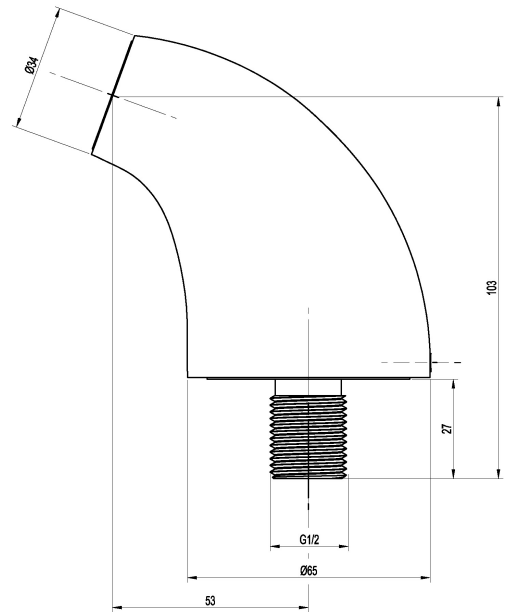
Cobra Cobra Shower Head & Arm set



Range: Cobra
Description: Vandal-proof shower head, brushed chrome. Single function, 1/2" BSP male inlet, minimum flow pressure of 50 kPa. Care & Maintenance - Ensure your product does not come into contact with any lubricants during installation. Chrome plated, matte black and any colour finishes should be wiped with warm soapy water and a soft cloth or sponge. Rinse, then dry and buff with a dry soft cloth. Under no circumstances must any detergents containing hydrochloric acids or abrasives including cream cleansers be used. Do not use abrasive cleaning materials such as scourers. Should your product have an aerator at the water outlet, it should be checked and cleaned regularly.

Product Code: KP2-61/N
ERP Code: FSWHR135-0GT01
Barcode: 6002194051459
Product Features: Cobra EcoMind, Cobra TeamAssist, 5 Year Warranty
Dimensions: (l) 140mm x (w) 80mm x (h) 80mm
Package Weight: 0.66

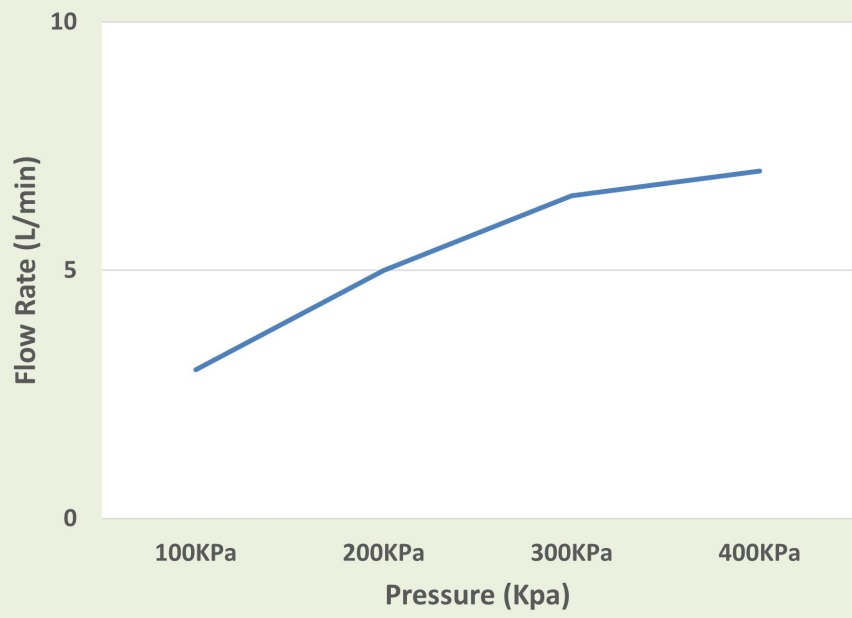
Product Images



Flow Chart

KP2-61/N

FLOW RATE



MOT



5 Year Warranty



Cobra TeamAssist



Cobra EcoMind