

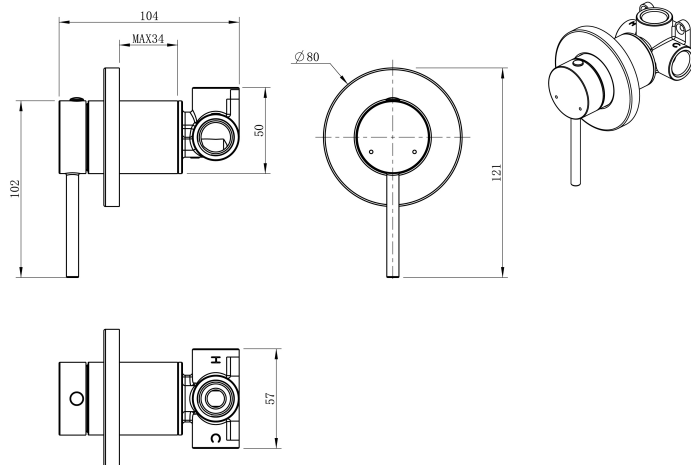
Cobra Tigris Bath/Shower Mixer Concealed



Range: Tigris
Description: Cobra Tigris Bath/Shower Mixer Concealed, 3 Ports, 1/2 FI, Brass body, 35mm cartridge, Stainless Steel 201 wall cover, Flow rate 24.91 l/min @300kPa, Chrome. Care & Maintenance - Ensure your product does not come into contact with any lubricants during installation. Chrome plated, matte black and any colour finishes should be wiped with warm soapy water and a soft cloth or sponge. Rinse, then dry and buff with a dry soft cloth. Under no circumstances must any detergents containing hydrochloric acids or abrasives including cream cleansers be used. Do not use abrasive cleaning materials such as scourers. Should your product have an aerator at the water outlet, it should be checked and cleaned regularly.

Product Code: TG-956
ERP Code: 1369770000
Barcode: 6002194165668
Product Features: Cobra PureShine, Cobra FeatherTouch, Cobra TeamAssist, 10 Year Warranty, DZR Brass, New Tigris
Dimensions: (l) 155mm x (w) 135mm x (h) 60mm
Package Weight: 0.72

Product Images



MOT



Cobra FeatherTouch



DZR Brass



Cobra PureShine



Cobra TeamAssist



10 Year Warranty



Cobra TeamAssist



Cobra Genuine



2 Year Warranty



DZR Brass



Jaswic Approved

Cobra Pressure