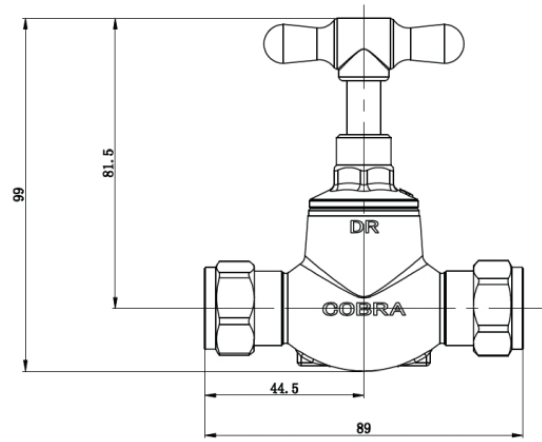


Cobra Standard Brass Stop Tap Concealed Compression 15mm

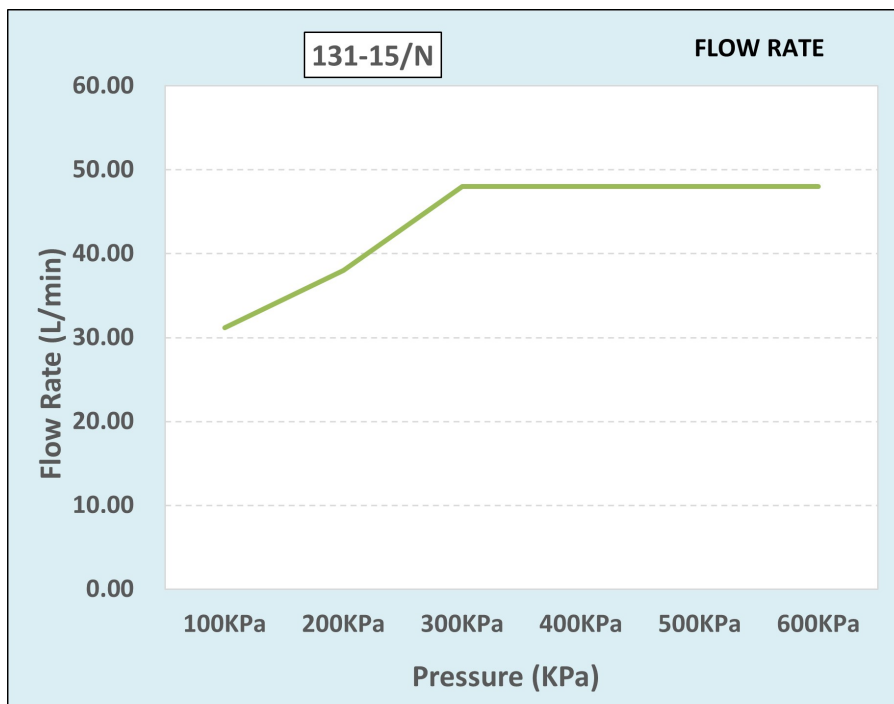


Range: Standard Brass
Description: Stoptap. Heavy pattern low resistance type. 15mm copper to copper compression connection ends.
Product Code: 131-15/N
ERP Code: FSTAC1CR-7FT01
Barcode: 6002194032533
Product Features: Cobra TeamAssist, DZR Brass, 20 Year Warranty
Dimensions: (l) 120mm x (w) 100mm x (h) 60mm
Package Weight: 0.45

Product Images



Flow Chart





Cobra TeamAssist



20 Year Warranty



DZR Brass