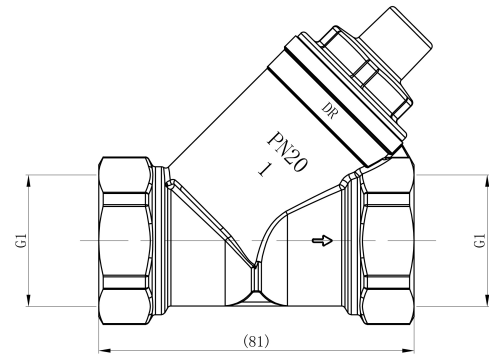
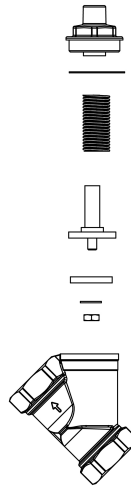
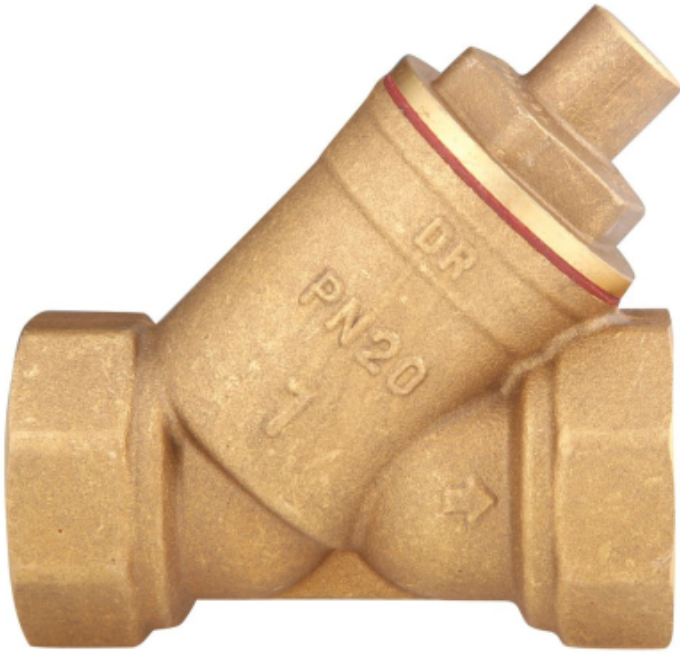


# Cobra Cobra Check Valve Spring 25



**Range:** Cobra  
**Description:** Spring type. Hydraulic pressure 2000kPa (non-shock) max. Opening pressure 10kPa. 1BSP female iron connection ends. Manufactured from DZR Brass  
**Product Code:** 1025-25/N  
**ERP Code:** FCH1SP25-7FT01  
**Barcode:** 6002194033288  
**Product Features:** Cobra TeamAssist, SABS Approved, DZR Brass, 2 Year Warranty  
**Dimensions:** (l) 110mm x (w) 90mm x (h) 60mm  
**Package Weight:** 0.48

## Product Images



## MOT



Cobra TeamAssist



2 Year Warranty



DZR Brass



SABS Approved