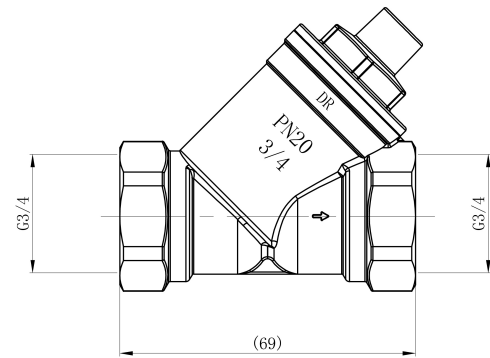
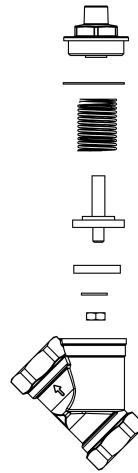


# Cobra Cobra Check Valve Spring 20



**Range:** Cobra  
**Description:** Spring type. Hydraulic pressure 2000kPa (non-shock) max. Opening pressure 10kPa. 3/4BSP female iron connection ends. Manufactured from DZR Brass  
**Product Code:** 1025-20/N  
**ERP Code:** FCH1SP20-7FT01  
**Barcode:** 6002194033226  
**Product Features:** Cobra TeamAssist, SABS Approved, DZR Brass, 2 Year Warranty  
**Dimensions:** (l) 100mm x (w) 70mm x (h) 70mm  
**Package Weight:** 0.32

## Product Images



## MOT



Cobra TeamAssist



2 Year Warranty



DZR Brass



SABS Approved