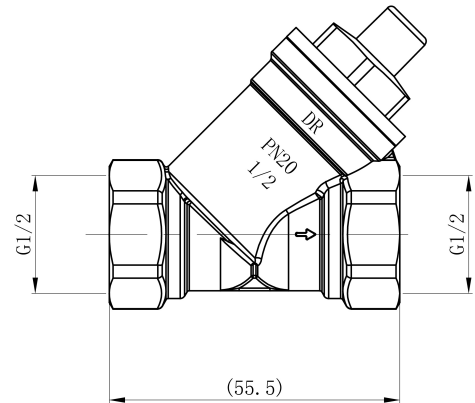
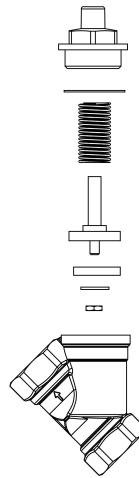


Cobra Cobra Check Valve Spring 15



Range: Cobra
Description: Spring type. Hydraulic pressure 2000kPa (non-shock) max. Opening pressure 10kPa. 1/2BSP female iron connection ends. Manufactured from DZR Brass
Product Code: 1025-15/N
ERP Code: FCH1SP15-7FT01
Barcode: 6002194033240
Product Features: Cobra TeamAssist, SABS Approved, DZR Brass, 2 Year Warranty
Dimensions: (l) 70mm x (w) 70mm x (h) 50mm
Package Weight: 0.22

Product Images



MOT



Cobra TeamAssist



2 Year Warranty



DZR Brass



SABS Approved